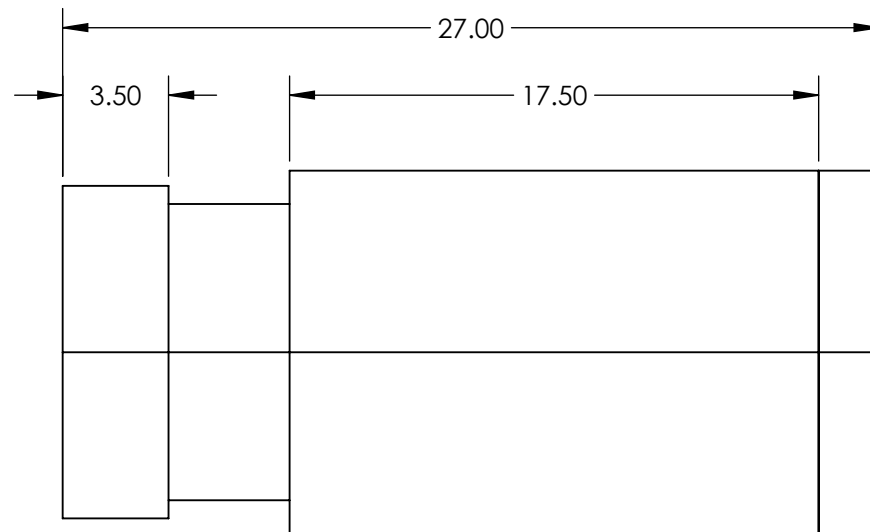
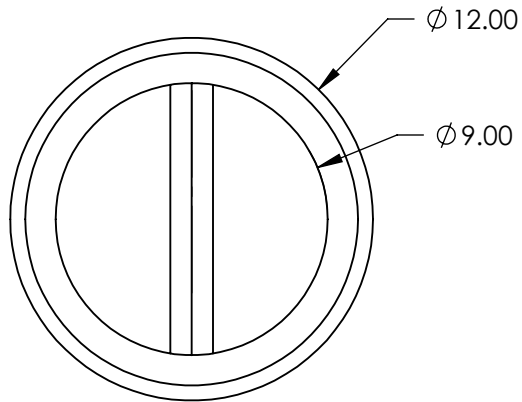
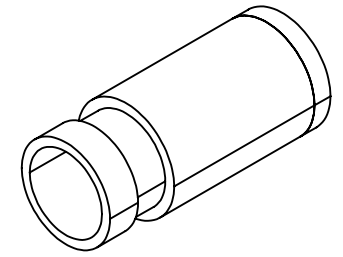


NOTES:

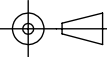
1. 30° FAN ANGLE



SPECIFICATIONS SUBJECT TO CHANGE WITHOUT NOTICE
 DIMENSIONS ARE FOR REFERENCE ONLY

**FOR INFORMATION ONLY:
 DO NOT MANUFACTURE
 PARTS TO THIS DRAWING**

EO[®] Edmund Optics[®]

THIRD ANGLE PROJECTION 	TITLE	30°, 405nm Single Line Projection Head		
	ALL DIMS IN	mm	DWG NO	37092