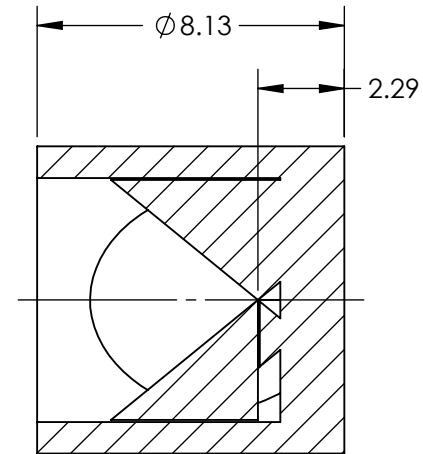
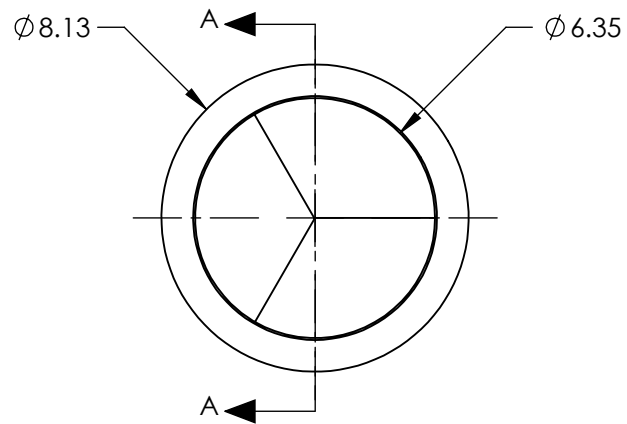


NOTES:

1. RoHS: COMPLIANT

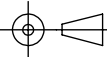


SECTION A-A

SPECIFICATIONS SUBJECT TO CHANGE WITHOUT NOTICE  
DIMENSIONS ARE FOR REFERENCE ONLY

**EO**<sup>®</sup> Edmund Optics<sup>®</sup>

**FOR INFORMATION ONLY:  
DO NOT MANUFACTURE  
PARTS TO THIS DRAWING**

THIRD ANGLE PROJECTION 		TITLE	6.4mm Clear Aperture, 20 Arcsec, Gold Retroreflector	
ALL DIMS IN	mm	DWG NO	46180	SHEET 1 OF 1