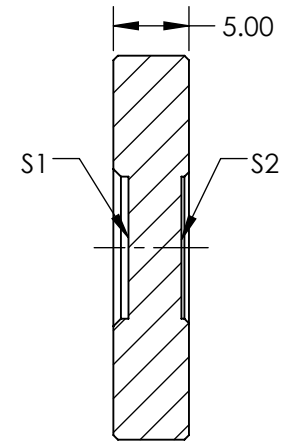
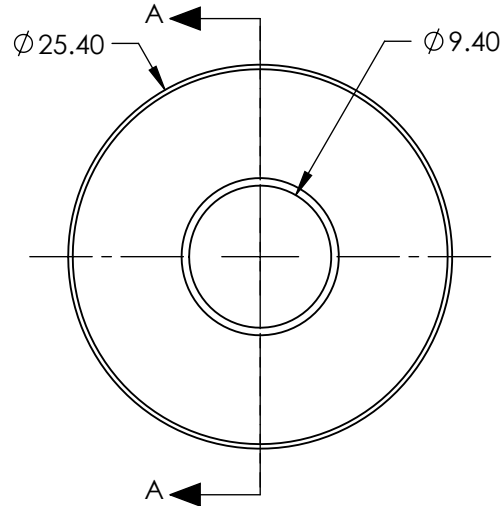
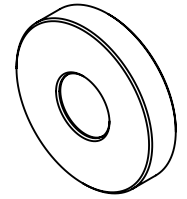


NOTES:

1. CRYSTAL TYPE: BBO
2. SURFACE S2 TO BE PARALLEL TO SURFACE S1 TO WITHIN <20 ARCSEC
3. COATING (APPLY ACROSS COATING APERTURE)
 DAMAGE THRESHOLD, PULSED: >1 GW/cm² @ 1064nm, 10ns
 S1: 400 - 800nm BROADBAND PROTECTIVE COATING
 S2: 400 - 800nm BROADBAND PROTECTIVE COATING
4. ORIENTATION (Θ/ϕ)°: 29.2/90
5. RoHS: COMPLIANT



SECTION A-A

**FOR INFORMATION ONLY:
DO NOT MANUFACTURE
PARTS TO THIS DRAWING**

SPECIFICATIONS SUBJECT TO CHANGE WITHOUT NOTICE
DIMENSIONS ARE FOR REFERENCE ONLY

	S1	S2
SHAPE	PLANO	PLANO
SURFACE FLATNESS	$\lambda/8$	$\lambda/8$
SURFACE QUALITY	20-10	20-10
CLEAR APERTURE	$\varnothing 9.40$	$\varnothing 9.40$
BEVEL	PROTECTIVE AS NEEDED	PROTECTIVE AS NEEDED

THIRD ANGLE PROJECTION

ALL DIMS IN

mm

Edmund Optics®

TITLE

10 x 10 x 0.5mm, 800nm SHG, TYPE I BBO
NONLINEAR CRYSTAL

DWG NO

11166

SHEET
1 OF 1