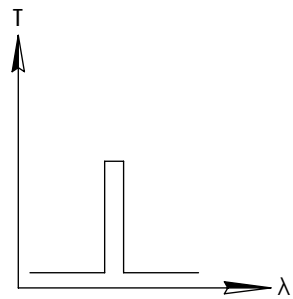
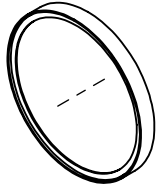
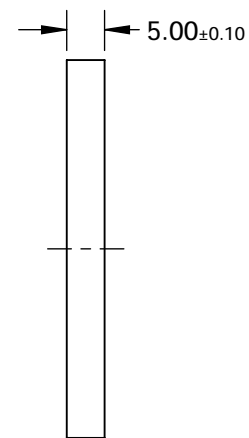
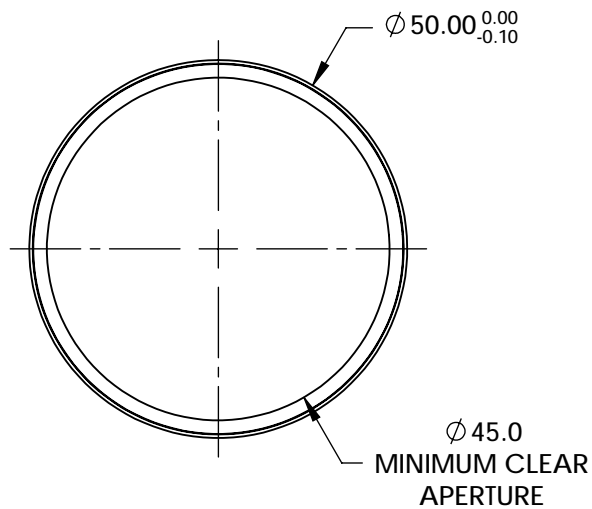


**FOR INFORMATION ONLY:  
DO NOT MANUFACTURE  
PARTS TO THIS DRAWING**



BANDPASS FILTER



REV. A	VALUE
CENTER WAVELENGTH (CWL)	343nm $\pm$ 1nm
FULL WIDTH HALF MAX (FWHM)	5.0 $\pm$ 1nm
MINIMUM TRANSMISSION	$\geq$ 85%
BLOCKING	200 - 1200nm
SURFACE QUALITY	80-50
CONSTRUCTION	MOUNTED IN BLACK ANODIZED ALUMINUM RING
COATING TYPE	HARD COATED
DURABILITY	MIL-C-48497a, SEC 3.4.1
ENVIRONMENTAL	MIL-STD-810F, SEC 507.4

SPECIFICATIONS SUBJECT TO CHANGE WITHOUT NOTICE  
DIMENSIONS ARE FOR REFERENCE ONLY

**EO**® Edmund Optics®



THIRD ANGLE  
PROJECTION

TITLE

343nm CWL, 50mm Dia., Hard Coated OD4  
5nm Bandpass Filter

ALL DIMS IN

mm

DWG NO

39374

SHEET  
1 OF 1