

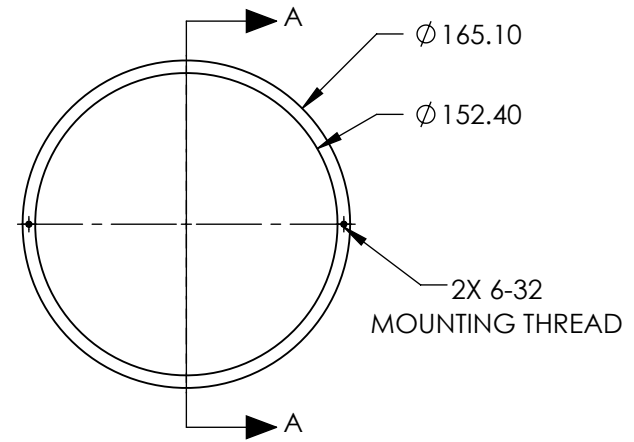
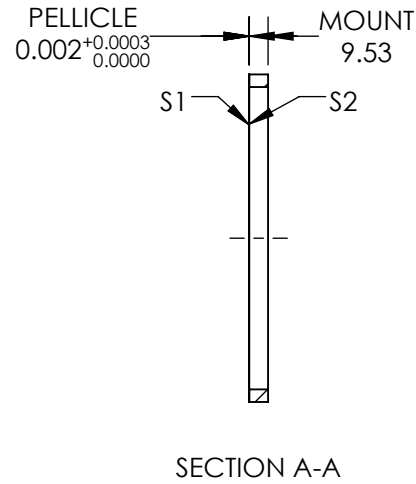
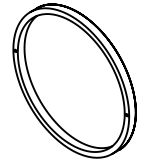
NOTES:

- SUBSTRATE MATERIAL:
NITROCELLULOSE
- COATING (APPLY ACROSS COATING APERTURE)

S1: DIELECTRIC
33% R @ 400 - 700nm @ 45° AOI
67% T @ 400 - 700nm @ 45° AOI
R/T TOLERANCE: ±3 %

S2: NONE

- ROHS : EXEMPT



**FOR INFORMATION ONLY:
DO NOT MANUFACTURE
PARTS TO THIS DRAWING**

SPECIFICATIONS SUBJECT TO CHANGE WITHOUT NOTICE
DIMENSIONS ARE FOR REFERENCE ONLY



REV.A.	S1	S2
SHAPE	PLANO	PLANO
SURFACE QUALITY	40-20	40-20
CLEAR APERTURE	Ø152.40	Ø152.40
BEVEL	PROTECTIVE AS NEEDED	PROTECTIVE AS NEEDED

THIRD ANGLE PROJECTION	TITLE	BS PELLICLE 6in DIA 33R/67T	
ALL DIMS IN mm	DWG NO	39500	SHEET 1 OF 1