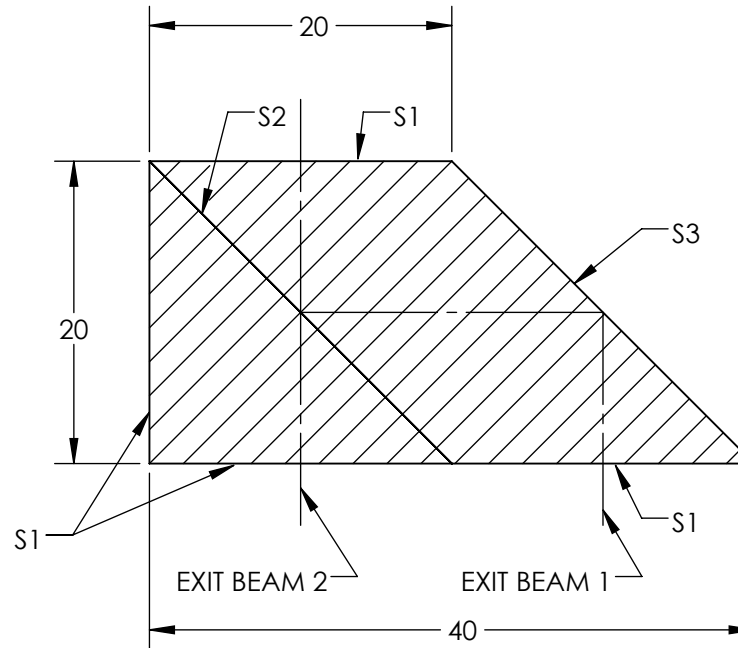
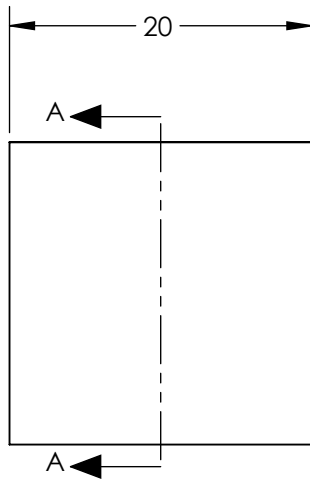
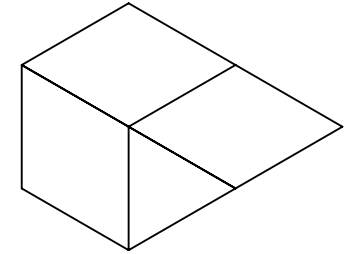


NOTES:

1. EXIT BEAMS 1 & 2 PARALLEL AFTER BONDING TO <30 arcsec
3. COATING (APPLY ACROSS CLEAR APERTURE)
 - S1: R(avg) <0.5% @ 720 - 1080nm
 - S2: AVERAGE TRANSMITTANCE 45% ±5% @ 720 - 1080nm AT 45° AOI
 - ABSORPTION <10% @ 720 - 1080nm @ 45° AOI
 - POLARIZATION DEVIATION <6% @ 720 - 1080nm @ 45° AOI
 - S3: NONE
4. RoHS COMPLIANT

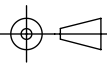


SECTION A-A

SPECIFICATIONS SUBJECT TO CHANGE WITHOUT NOTICE
DIMENSIONS ARE FOR REFERENCE ONLY

**FOR INFORMATION ONLY:
DO NOT MANUFACTURE
PARTS TO THIS DRAWING**



REV. A	S1	S2	THIRD ANGLE PROJECTION 		TITLE	20mm, NIR, LATERAL DISPLACEMENT NON-POLARIZED BEAMSPLITTER	
SURFACE QUALITY	40-20	40-20	ALL DIMS IN	mm	DWG NO	47541	SHEET 1 OF 1
SURFACE FLATNESS	$\lambda/8$	$\lambda/8$					