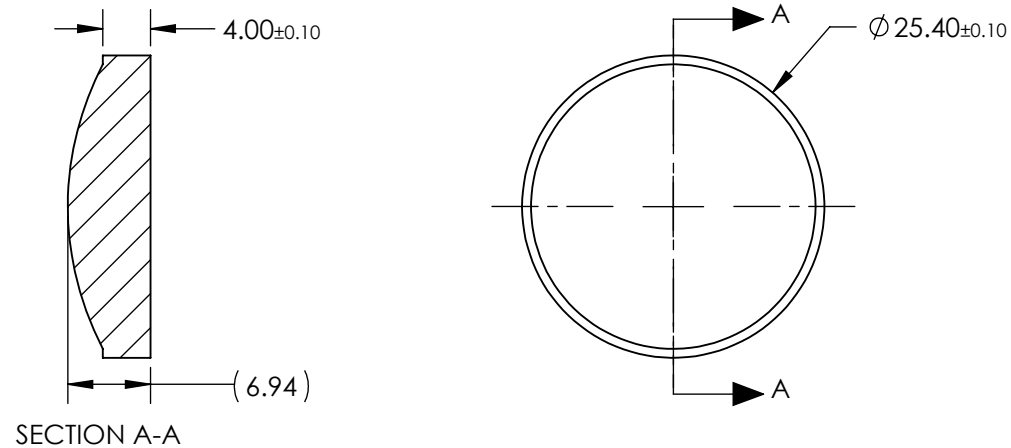
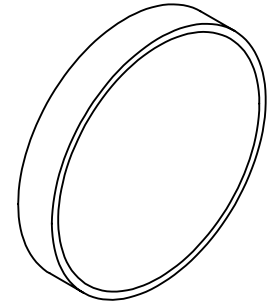


NOTES:

1. SUBSTRATE:
PMMA
2. COATING
S1 & S2: R(AVG) <0.5% @ 450 - 650nm
3. FOCAL LENGTH TOLERANCE: ±1%



**FOR INFORMATION ONLY:
DO NOT MANUFACTURE
PARTS TO THIS DRAWING**

SPECIFICATIONS SUBJECT TO CHANGE WITHOUT NOTICE
DIMENSIONS ARE FOR REFERENCE ONLY

	S1	S2
SHAPE	CONVEX	PLANO
BEVEL	PROTECTIVE AS NEEDED	PROTECTIVE AS NEEDED

EFL	50.80
BFL	46.20

EO® **Edmund Optics**®



THIRD ANGLE
PROJECTION

TITLE

25.4mm DIA F/2 VIS COATED, MOLDED
ACRYLIC ASPHERIC LENS

ALL DIMS IN

mm

DWG NO

48183

SHEET
1 OF 1