

NOTES:

1. SUBSTRATE MATERIAL:
N-BK7

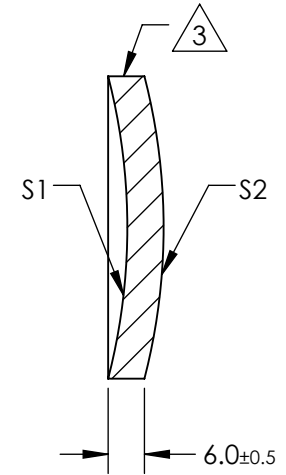
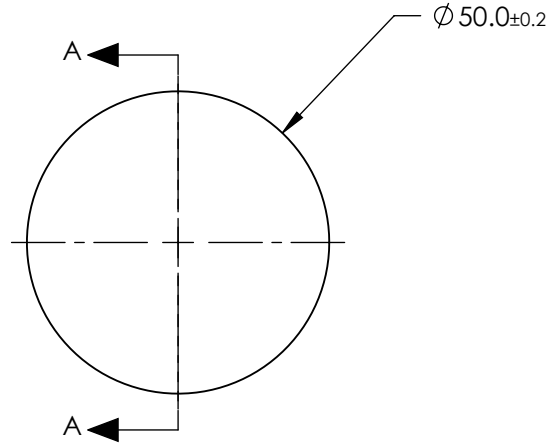
2. COATING (APPLY ACROSS CLEAR APERTURE)

S1: Protected Aluminum
R(avg) >85% @ 400 - 700nm
R(avg) >90% @ 400 - 2000nm

S2: NONE

 3. FINE GROUND SURFACE

4. RoHS COMPLIANT



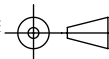
SECTION A-A

**FOR INFORMATION ONLY:
DO NOT MANUFACTURE
PARTS TO THIS DRAWING**

SPECIFICATIONS SUBJECT TO CHANGE WITHOUT NOTICE
DIMENSIONS ARE FOR REFERENCE ONLY

REV. A	S1	S2
SHAPE	CONCAVE	CONVEX
RADIUS	100mm	100mm
APERTURE	f/1	N/A
EFFECTIVE FOCAL LENGTH	50mm	N/A
FOCAL LENGTH TOLERANCE	±2%	N/A
SURFACE QUALITY	80-50	N/A

THIRD ANGLE
PROJECTION



ALL DIMS IN

mm

 **Edmund Optics®**

TITLE 50mm Dia. x 50mm FL Protected Aluminum,
Concave Mirror

DWG NO

43470

SHEET
1 OF 1