

NOTES:

1. SUBSTRATE MATERIAL:
N-BK7

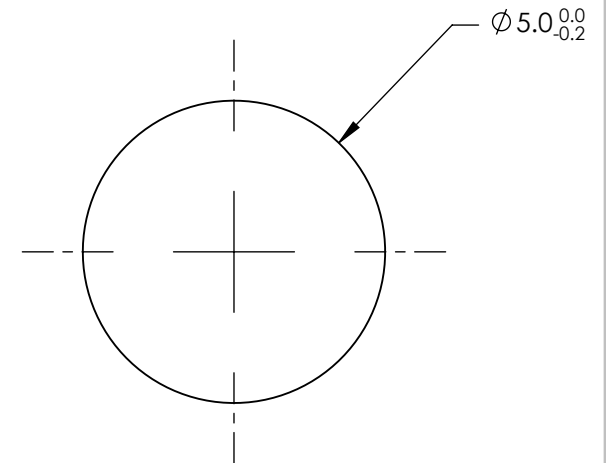
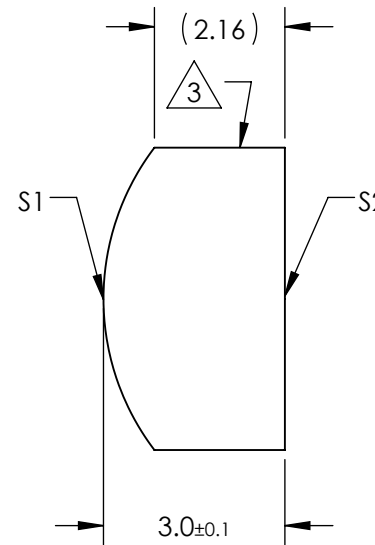
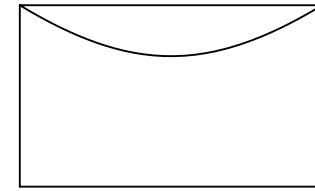
2. COATING (APPLY ACROSS CLEAR APERTURE)

S1 & S2: NONE

3. FINE GROUND SURFACE


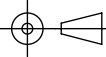
4. POWER, IRREGULARITY, AND SURFACE QUALITY
SPECIFICATIONS APPLY ACROSS CLEAR APERTURE

5. RoHS COMPLIANT



**FOR INFORMATION ONLY:
DO NOT MANUFACTURE
PARTS TO THIS DRAWING**

SPECIFICATIONS SUBJECT TO CHANGE WITHOUT NOTICE
DIMENSIONS ARE FOR REFERENCE ONLY

REV. A	S1	S2	EFL	8	 Edmund Optics®		
SHAPE	CONVEX	PLANO	BFL	5.72			
RADIUS	4.13	∞			TITLE	5mm DIA X 8mm FL UNCOATED, CYLINDER LENS	
SURFACE QUALITY	60-40	60-40	ALL DIMS IN	mm	DWG NO	45981	SHEET 1 OF 1
CLEAR APERTURE	Ø4.00	Ø4.00					
COATING APERTURE	Ø4.00	Ø4.00					
BEVEL	PROTECTED AS NEEDED	PROTECTED AS NEEDED					