

NOTES:

**FOR INFORMATION ONLY:  
DO NOT MANUFACTURE  
PARTS TO THIS DRAWING**

1. SUBSTRATE: FUSED SILICA

2. COATING SPECIFICATION:

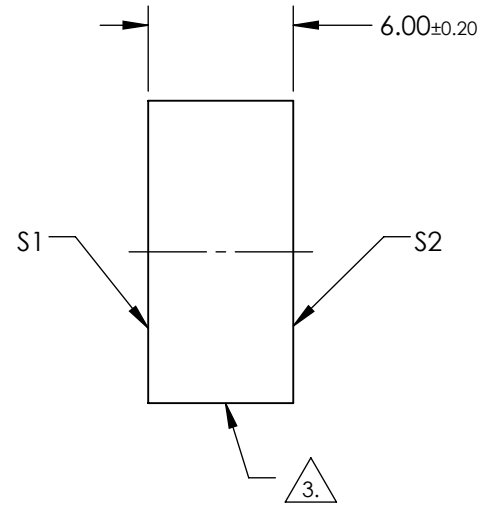
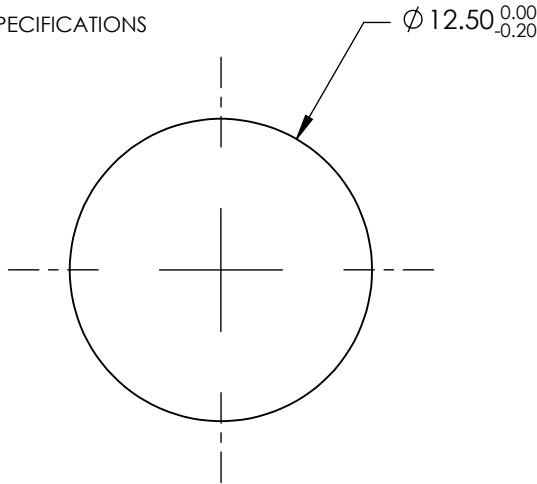
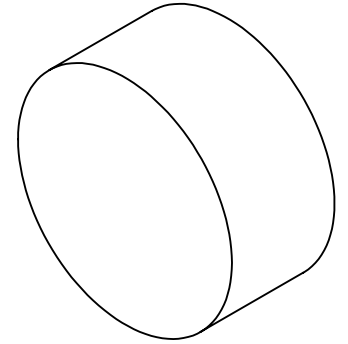
S1: R(ABS) >99.8% @ 405nm @ 45° AOI  
R(AVG) >98% @ 375 - 435nm @ 45° AOI

S2: NONE

3. FINE GRIND SURFACE

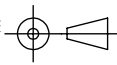
4. POWER, IRREGULARITY, AND SURFACE QUALITY SPECIFICATIONS  
APPLY ACROSS CLEAR APERTURE

5. ROHS COMPLIANT



SPECIFICATIONS SUBJECT TO CHANGE WITHOUT NOTICE  
DIMENSIONS ARE FOR REFERENCE ONLY

	S1	S2
SHAPE	PLANO	PLANO
SURFACE QUALITY	10-5	FINE GROUND
SURFACE ACCURACY	$\lambda/10$	N/A
CLEAR APERTURE	>90%	N/A
BEVEL	PROTECTIVE AS NEEDED	PROTECTIVE AS NEEDED

THIRD ANGLE PROJECTION 

ALL DIMS IN mm

 **Edmund Optics®**

TITLE	12.5mm Dia 405nm 45°, Laser Diode Mirror		
DWG NO	63138	SHEET	1 OF 1