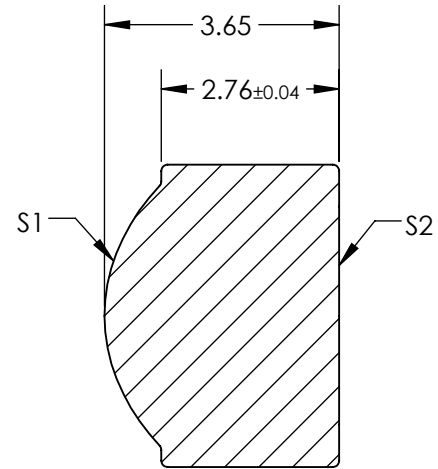
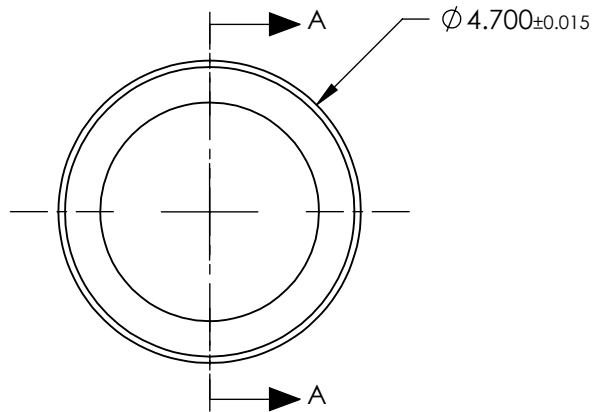


NOTES:


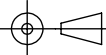
1. SUBSTRATE:
D-ZK3
2. NUMERICAL APERTURE: 0.43
3. COATING
S1 & S2: R(ABS) < 1.0% @ 1050 - 1600nm
4. FOCAL LENGTH TOLERANCE: ±1%
5. TRANSMITTED WAVEFRONT ERROR (λ , RMS): < 0.070



SECTION A-A

**FOR INFORMATION ONLY:
DO NOT MANUFACTURE
PARTS TO THIS DRAWING**

SPECIFICATIONS SUBJECT TO CHANGE WITHOUT NOTICE DIMENSIONS ARE FOR REFERENCE ONLY

| | | | | | |
|-----------------|----------------------|----------------------|--|--------|---|
| | S1 | S2 | EFL | 4.5 |  Edmund Optics® |
| | | | BFL | 2.19 | |
| SHAPE | CONVEX | PLANO | THIRD ANGLE PROJECTION  | TITLE | 0.43 NA 4.50mm FL 1050-1600nm AR Coated, Molded Aspheric Lens |
| SURFACE QUALITY | 40-20 | 40-20 | | DWG NO | 83580 |
| CLEAR APERTURE | Ø3.65 | Ø3.65 | ALL DIMS IN | mm | |
| BEVEL MAX | PROTECTIVE AS NEEDED | PROTECTIVE AS NEEDED | | | |