

NOTES:

**FOR INFORMATION ONLY:
DO NOT MANUFACTURE
PARTS TO THIS DRAWING**

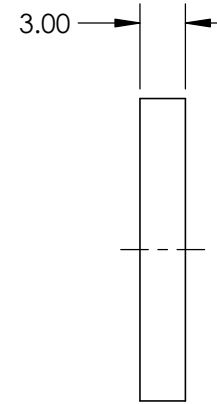
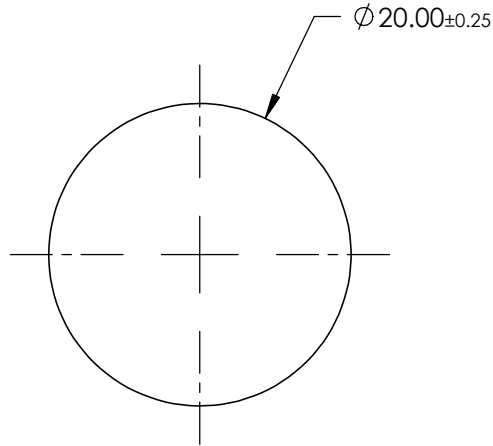
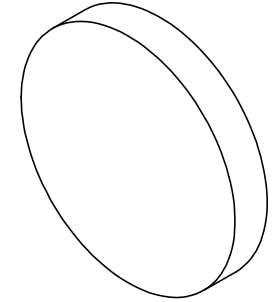
1. SUBSTRATE: Float Glass
2. COATING SPECIFICATION:

VIS Laser
S1: R(abs) >97% @ 633nm

S2: 0

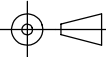
3. POWER, IRREGULARITY, AND SURFACE QUALITY SPECIFICATIONS
APPLY ACROSS CLEAR APERTURE

4. ROHS COMPLIANT



SPECIFICATIONS SUBJECT TO CHANGE WITHOUT NOTICE
DIMENSIONS ARE FOR REFERENCE ONLY

EO® **Edmund Optics**®

	S1	S2	THIRD ANGLE PROJECTION 		TITLE	20mm Diameter Laser Diode Mirror	
SHAPE	PLANO	PLANO			ALL DIMS IN	mm	DWG NO
SURFACE QUALITY	80-50	COMMERCIAL POLISH					
BEVEL	PROTECTIVE AS NEEDED	PROTECTIVE AS NEEDED					