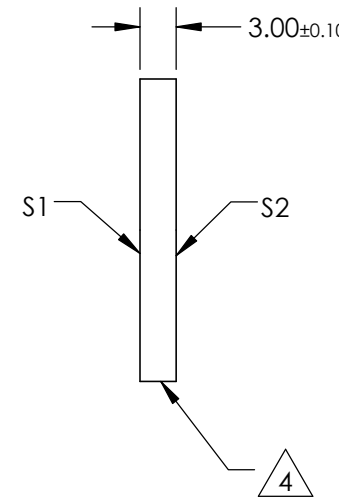
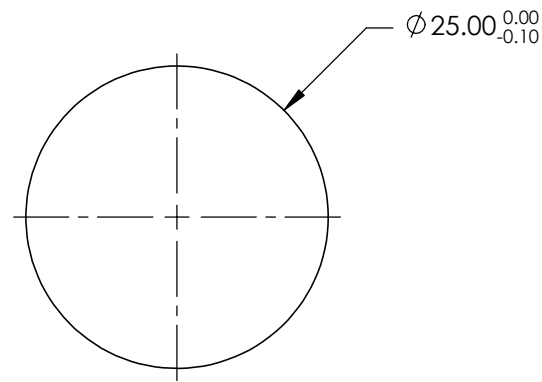
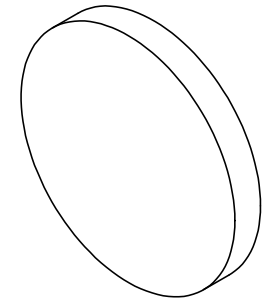


NOTES:

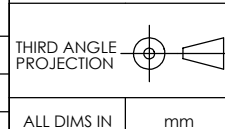
1. SUBSTRATE:  
EXCIMER GRADE UV FUSED SILICA
2. SURFACE S2 TO BE PARALLEL WITH S1 TO 5 arcsec
3. COATING (APPLY ACROSS CLEAR APERTURE)  
S1 & S2: RABS <0.2% @ 355nm
4. FINE GRIND SURFACE
5. RoHS COMPLIANT



**FOR INFORMATION ONLY:  
DO NOT MANUFACTURE  
PARTS TO THIS DRAWING**

SPECIFICATIONS SUBJECT TO CHANGE WITHOUT NOTICE  
DIMENSIONS ARE FOR REFERENCE ONLY

	S1	S2
SHAPE	PLANO	PLANO
SURFACE QUALITY	10 - 5	10 - 5
DESIGN WAVELENGTH	355nm	355nm
BEVEL	PROTECTIVE AS NEEDED	PROTECTIVE AS NEEDED



**EO**® Edmund Optics®

TITLE	25mm DIA. 355nm LASER V-COAT, λ/20 FUSED SILICA WINDOW		
DWG NO	48207	SHEET	1 OF 1