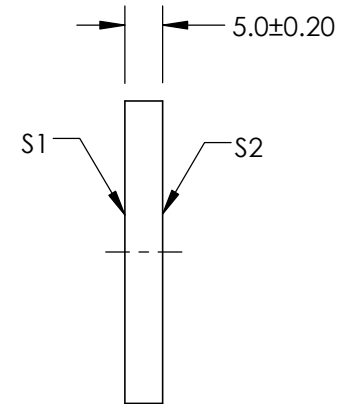
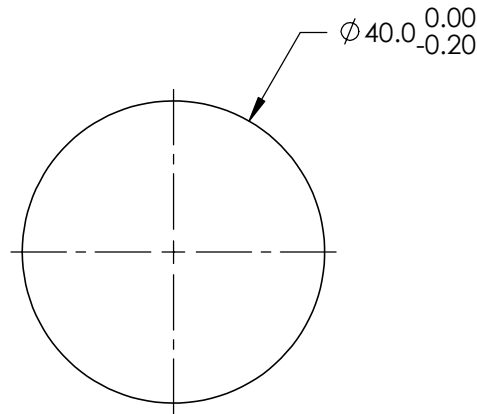
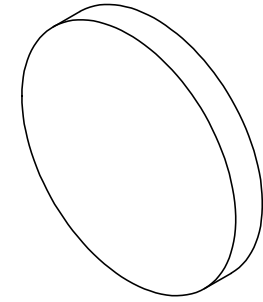


NOTES:

**FOR INFORMATION ONLY:
DO NOT MANUFACTURE
PARTS TO THIS DRAWING**

1. SUBSTRATE: FUSED SILICA
2. PARALLELISM : 30 ARCSEC
3. COATING SPECIFICATION:

 ENHANCED ALUMINUM
 S1: R(avg) >95% @ 450 - 650nm
 S2: NONE
4. POWER, IRREGULARITY, AND SURFACE QUALITY SPECIFICATIONS
 APPLY ACROSS CLEAR APERTURE
5. ROHS COMPLIANT



SPECIFICATIONS SUBJECT TO CHANGE WITHOUT NOTICE
DIMENSIONS ARE FOR REFERENCE ONLY

EO[®] Edmund Optics[®]

	S1	S2
SHAPE	PLANO	PLANO
SURFACE QUALITY	20-10	COMMERCIAL POLISH
SURFACE FLATNESS	$\lambda/20$	N/A
BEVEL	PROTECTIVE AS NEEDED	PROTECTIVE AS NEEDED

THIRD ANGLE PROJECTION

ALL DIMS IN mm

TITLE	$\phi 40\text{mm}$, $\lambda/20$, ENHANCED ALUMINUM MIRROR	
DWG NO	34364	SHEET 1 OF 1