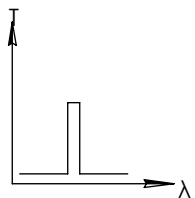
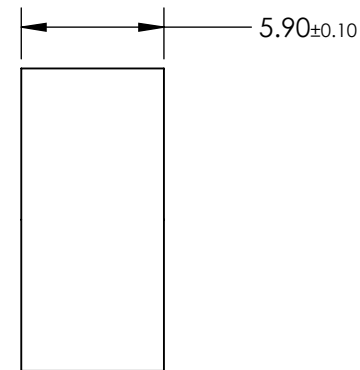
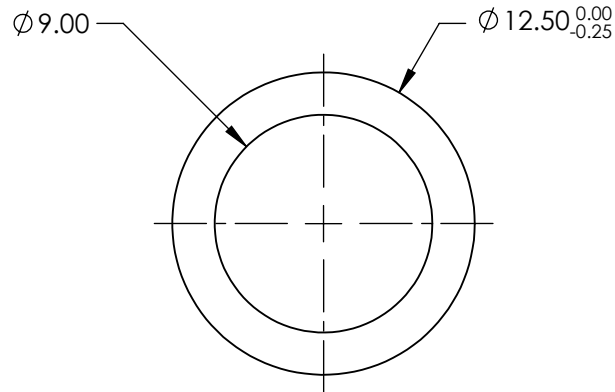
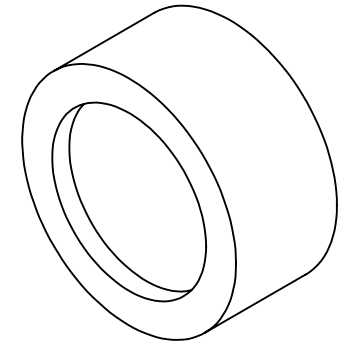


**FOR INFORMATION ONLY:
DO NOT MANUFACTURE
PARTS TO THIS DRAWING**



BANDPASS FILTER

	VALUE
OPTICAL DENSITY	≥ 4.0
CENTER WAVELENGTH (CWL)	750 +3.0/-1.0 nm
FULL WIDTH HALF MAX (FWHM)	10 \pm 2 nm
MINIMUM TRANSMISSION	>50 %
BLOCKING	200 - Far IR
SURFACE QUALITY	80-50
CONSTRUCTION	MOUNTED IN BLACK ANODIZED RING
COATING TYPE	TRADITIONAL COATED

SPECIFICATIONS SUBJECT TO CHANGE WITHOUT NOTICE
DIMENSIONS ARE FOR REFERENCE ONLY



ALL DIMS IN

mm

TITLE

$\phi 12.5\text{mm}$, 750nm x 10nm, MOUNTED
BANDPASS FILTER

DWG NO

67775

SHEET
1 OF 1