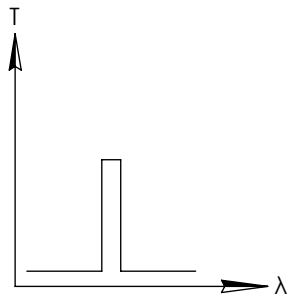
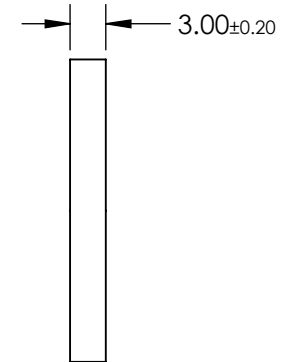
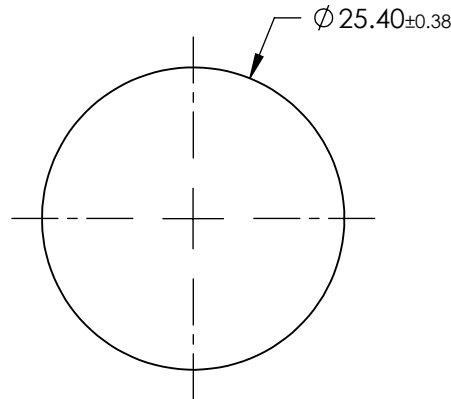
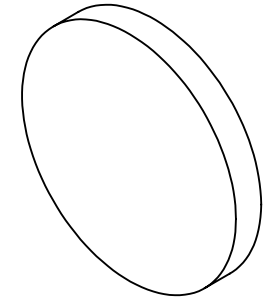


**FOR INFORMATION ONLY:
DO NOT MANUFACTURE
PARTS TO THIS DRAWING**



BANDPASS FILTER

SPECIFICATIONS SUBJECT TO CHANGE WITHOUT NOTICE
DIMENSIONS ARE FOR REFERENCE ONLY

	VALUE
SHAPE	PLANO
CENTER WAVELENGTH	356
FULL WIDTH HALF MAX (FWHM)	146
SURFACE QUALITY	80-50
COATING TYPE	Uncoated
BEVEL	PROTECTIVE AS NEEDED



ALL DIMS IN

mm



Edmund Optics®

TITLE

SCHOTT BG-3 (UV-VIS) 25.4mm Dia., Colored Glass Bandpass Filter

DWG NO

36308

SHEET
1 OF 1