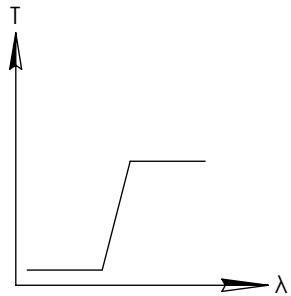
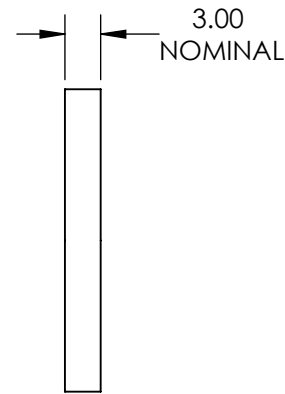
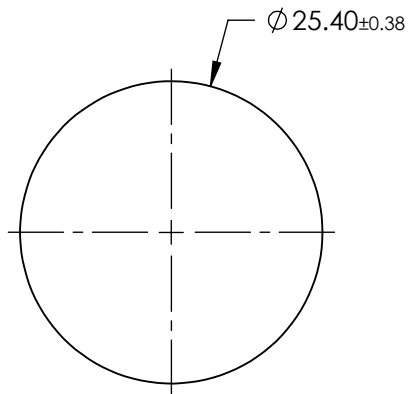
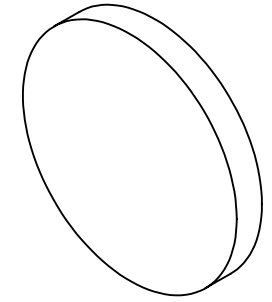


**FOR INFORMATION ONLY:
DO NOT MANUFACTURE
PARTS TO THIS DRAWING**



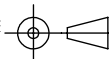
LONGPASS FILTER

SPECIFICATIONS SUBJECT TO CHANGE WITHOUT NOTICE
DIMENSIONS ARE FOR REFERENCE ONLY

REV. 001	S1	S2
SHAPE	PLANO	PLANO
SPECTRAL TRANSMITTANCE $t_{ip}(\%)$	99	99
PASSBAND LIMIT $1 \lambda_{p1}$ (nm)	470	470
CUT-OFF POSITION λ_c (nm)	320 ± 6	320 ± 6
STOPBAND LIMIT λ_s (nm)	280	280
WAVELENGTH	UV	UV
BEVEL	PROTECTIVE AS NEEDED	PROTECTIVE AS NEEDED



THIRD ANGLE
PROJECTION



TITLE

Ø25.4mm, SCHOTT N-WG-320 LONGPASS
FILTER

ALL DIMS IN

mm

DWG NO

46420

SHEET
1 OF 1