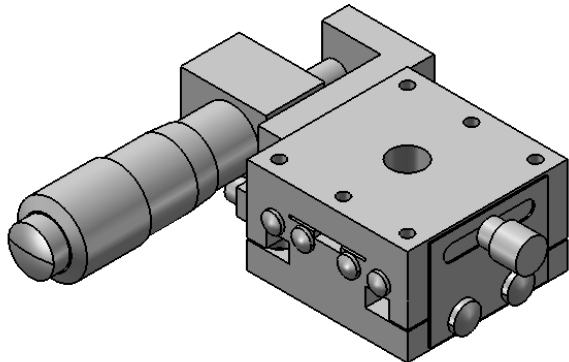
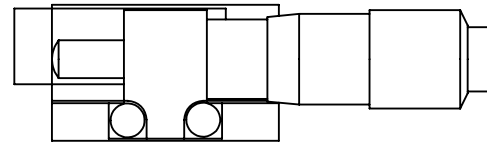


MICROMETER BASE

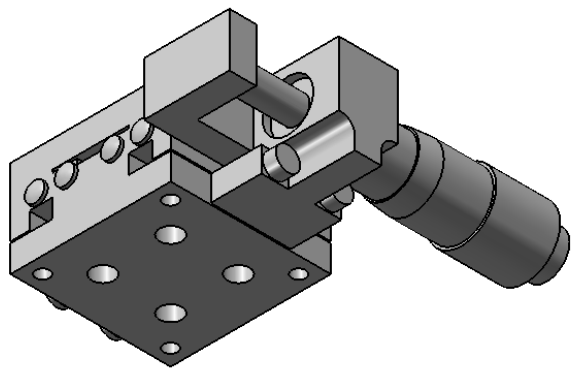
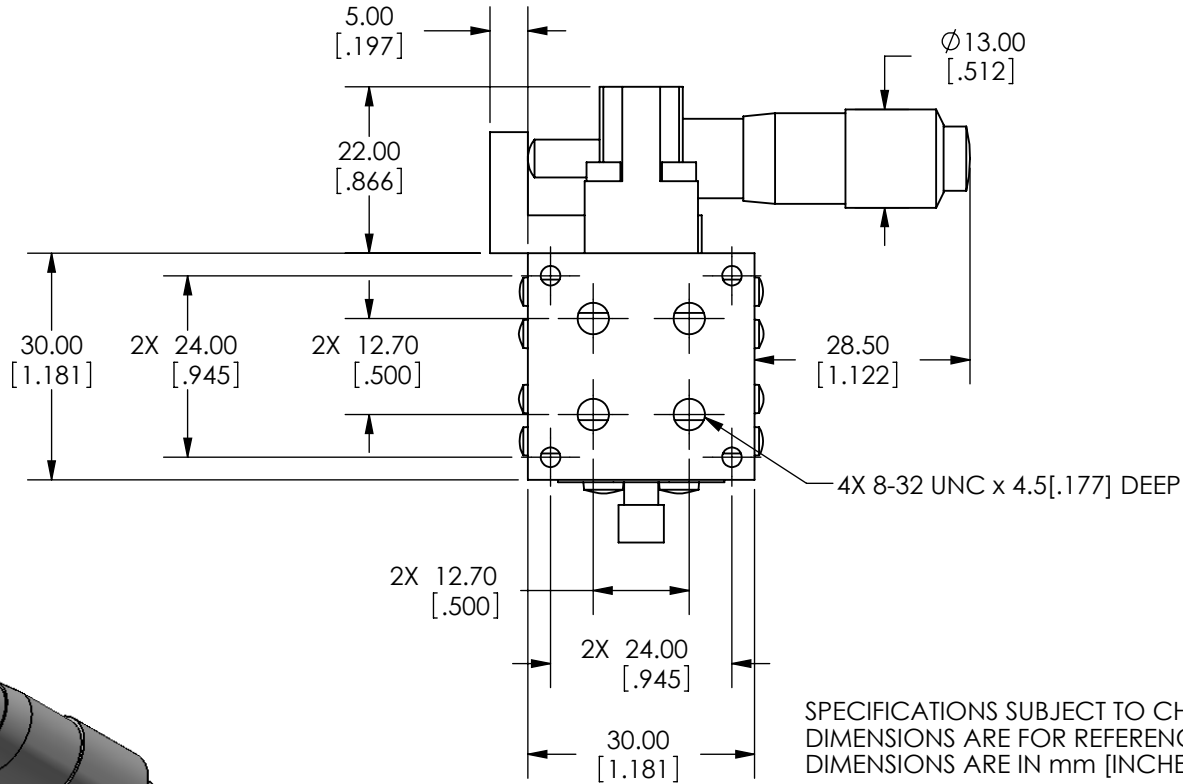
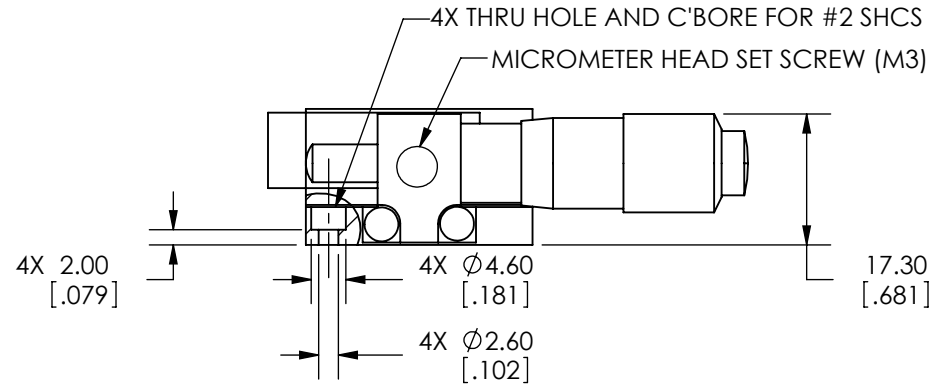
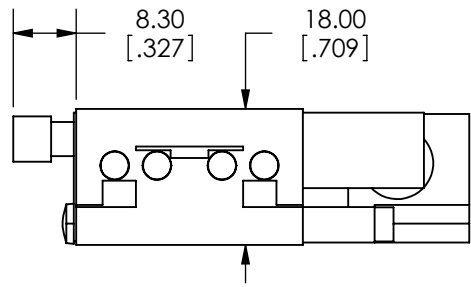


SPECIFICATIONS SUBJECT TO CHANGE WITHOUT NOTICE  
 DIMENSIONS ARE FOR REFERENCE ONLY  
 DIMENSIONS ARE IN mm [INCHES]



Edmund Optics

TITLE	30mm CENTER DRIVE, ENGLISH MICROMETER STAGE		
DWG NO	66389	SHEET 1 OF 2	REV 000



SPECIFICATIONS SUBJECT TO CHANGE WITHOUT NOTICE  
 DIMENSIONS ARE FOR REFERENCE ONLY  
 DIMENSIONS ARE IN mm [INCHES]

 <b>Edmund Optics</b>				
TITLE	30mm CENTER DRIVE, ENGLISH MICROMETER STAGE			
DWG NO	66389	SHEET 2 OF 2	REV	000

Enable 3D View